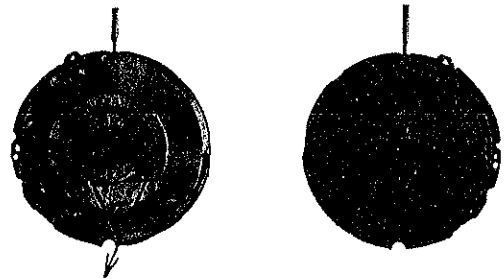


Catalog No.

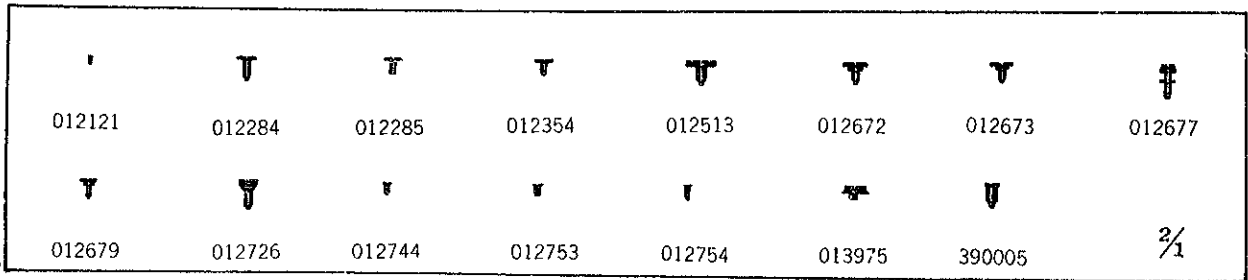
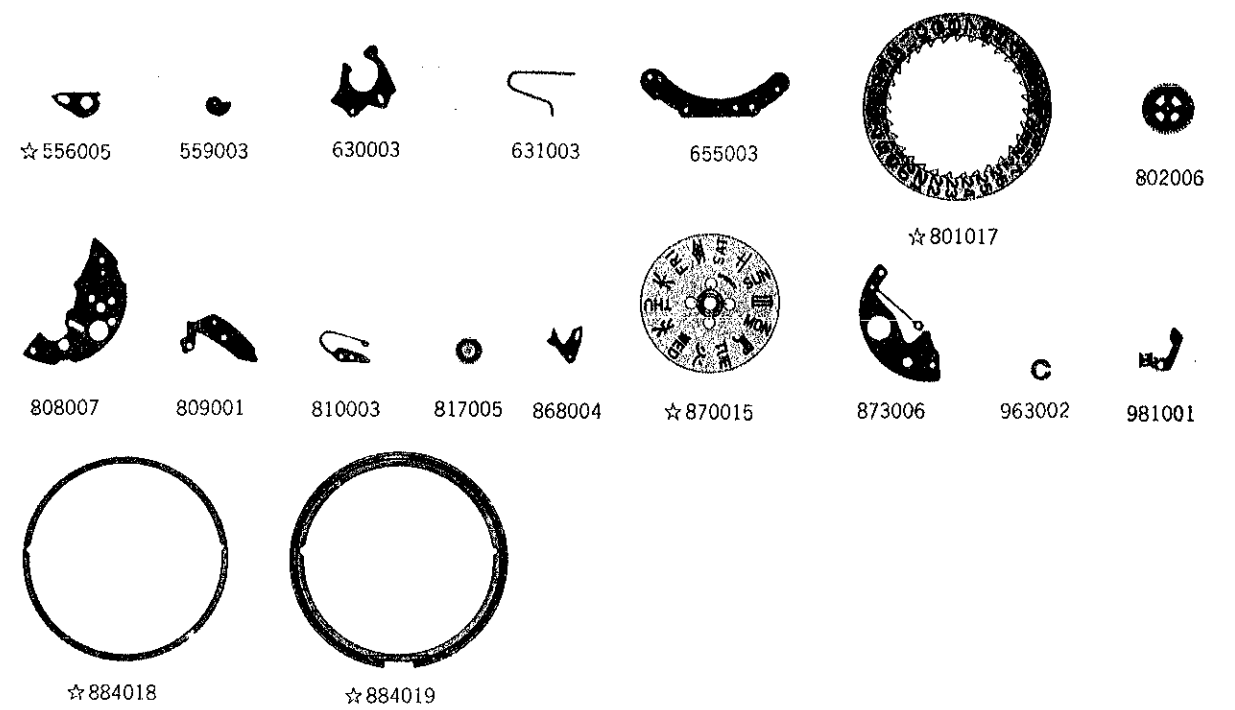
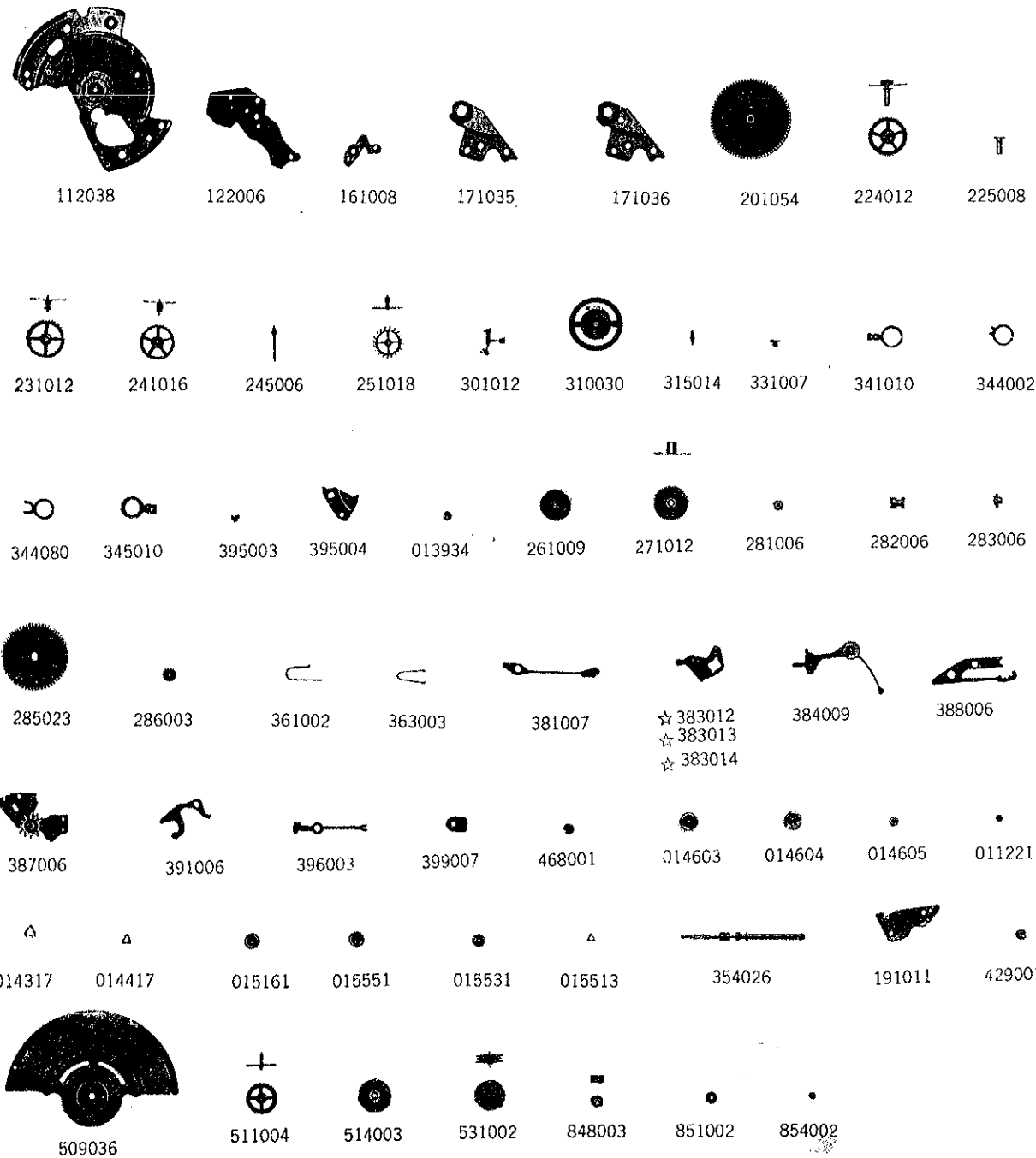


Cal. 5206A

**Characteristics**

Casing diameter: 25.60<sup>±</sup> mm  
 Maximum height: 3.95 mm  
 Vibrations per hour: 28,800  
 Automatic and auxiliary hand winding with sweep second  
 Calendar (day & date)  
 Spontaneous day & date change  
 Instant setting device for day & date calendar  
 Bilingual change-over system for day of week  
 Second-setting device  
 Micro-adjustor or outside micro-adjusting device  
 "Diashock" Shock Resistant Device  
 "Diafix" Oil Lubrication Device

--continued--



--continued on reverse page--

☆⇨ Please see remarks on the next reverse page.

☆⇨ Please see remarks on the next reverse page.

Calibre No.		Jewels	Style Name	
<b>5206A</b>		<b>23j</b>		
PART NO.	LIST OF MATERIALS	PART NO.	LIST OF MATERIALS	
112038	Barrel & train-wheel bridge	015161	Diafix upper hole jewel with frame for escape wheel	
122006	Center wheel bridge	011221	Diafix upper cap jewel for escape wheel	
161008	Pallet cock	014417	Diafix upper spring for escape wheel	
171035	Balance cock (for outside micro-adjusting device)	015531	Diafix lower hole jewel with frame for escape wheel	
171036	Balance cock	011221	Diafix lower cap jewel for escape wheel	
191011	Framework for automatic device	015513	Diafix lower spring for escape wheel	
201054	Complete barrel with arbor & mainspring	429001	Holding ring for second reduction wheel	
224012	Center wheel & pinion with cannon pinion	509036	Oscillating weight with ball-bearing	
225008	Cannon pinion	511004	First reduction wheel	
231012	Third wheel & pinion	514003	Second reduction wheel	
241016	Fourth wheel & pinion	531002	Differential wheel	
245006	Sweep second pinion	848003	First reverser idler	
251018	Escape wheel & pinion	851002	Second reverser idler	
261009	Minute wheel	854002	Snap for reverser idler	
271012	Hour wheel	☆556005	Date finger	
281006	Setting wheel	559003	Date cam	
282006	Clutch wheel	630003	Date cam jumper	
283006	Winding pinion	631003	Date cam jumper spring	
285023	Ratchet wheel	655003	Date cam jumper guard	
286003	Sliding crown wheel	☆801017	Date dial	
301012	Jewelled pallet fork & staff	802006	Date driving wheel	
310030	Balance complete with stud	808007	Date dial guard	
315014	Balance staff	809001	Date jumper guard	
331007	Roller with jewel	810003	Date jumper	
341010	Regulator	817005	Intermediate date wheel	
344002	Regulator adjusting device (for outside micro-adjusting device)	868004	Day finger	
344080	Regulator adjusting device	☆870015	Day star with dial disk (English ↔ Japanese)	
345010	Stud holder	873006	Day jumper	
354026	Winding stem	☆884018	Holding ring for dial	
361002	Second-setting lever spring	☆884019	Snap for day star with dial disk	
363003	Sliding crown wheel spring	963002	Day-date corrector wheel rocker	
381007	Click	981001	Stud screw	
☆383012	Setting lever	012121	Barrel & train-wheel bridge screw	
☆383013		012284	Balance cock screw	
☆383014		012284	Center wheel bridge screw	
384009		012285	Pallet cock screw	
387006	Yoke (Clutch lever)	012285	Setting lever spring screw	
	Minute wheel bridge with intermediate wheel for day correction	012354	Ratchet wheel screw	
388006	Setting lever spring	012513	Click screw	
390005	Setting lever axle	012672	Friction spring screw for sweep second pinion	
391006	Second-setting lever	012677	Outside micro-adjusting screw (for outside micro-adjusting device)	
395003	Micro-adjustor	012679	Micro-adjustor screw (for outside micro-adjusting device)	
395004	Micro-adjustor (for outside micro-adjusting device)	012726	Casing clamp screw	
396003	Friction spring for sweep second pinion	012744	Framework screw for automatic device	
399007	Casing clamp	012753	Day jumper screw (Gilt)	
468001	Lower hole jewel with frame for pallet	012754	Day jumper screw	
014603	Diashock upper frame	012754	Date cam jumper guard screw	
014604	Diashock lower frame	012754	Date dial guard screw	
014605	Diashock hole jewel with frame	012754	Date jumper guard screw	
011221	Diashock cap jewel			
014317	Diashock spring			
015551	Diafix upper hole jewel with frame for 4th wheel			
011221	Diafix upper cap jewel for 4th wheel			
014417	Diafix upper spring for 4th wheel			

— continued on reverse page —

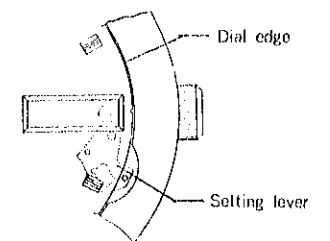
↳ Please see remarks on the reverse page.

Calibre No.		Jewels	Style Name	
<b>5206A</b>		<b>23j</b>		
PART NO.	LIST OF MATERIALS	PART NO.	LIST OF MATERIALS	
	— continued —			
011715	Upper hole jewel for center wheel	013024	Tube for setting lever spring screw	
011146	Lower hole jewel for center wheel	013025	Tube for casing clamp screw	
011540	Upper hole jewel for 3rd wheel	013026	Tube for day-date corrector wheel rocker (Tube for date jumper guard screw)	
011540	Lower hole jewel for 3rd wheel	013027	Tube for bridge screw	
011541	Lower hole jewel for 4th wheel	013481	Second reduction wheel pin	
011546	Upper hole jewel for pallet	013934	Micro-adjustor pin (for micro-adjustor)	
011151	Lower hole jewel for 1st reduction wheel	013975	Eccentric dial pin	
011422	Upper hole jewel for differential wheel			
011157	Lower hole jewel for differential wheel			
<b>Remarks :</b>				
<b>Setting lever</b>				
There are three types of setting levers. They are used according to the structure of cases and the dial diameter. Select a suitable one by the following procedures referring to the shapes indicated in the photos and Fig. 1.				
In case of a one-piece water-resistant case, if an incorrect setting lever for dial diameter is used, the winding stem cannot be pulled out or the movement cannot be set in the case. Attention must be paid to this point. (Refer to Fig. 2, Example of suitable setting lever)				
☆383012.....Used for one-piece water-resistant case with round dial of diameter 28.50φmm.				
☆383013.....				
<ul style="list-style-type: none"> <li>① Used for one-piece water-resistant case with round dial of diameter 26.50φmm.</li> <li>② Used for screw or snap back water-resistant case and non-water-resistant case.</li> </ul>				
☆383014.....Used for one-piece water-resistant case with round dial of diameter 27.50φmm.				
When the case is a square type water-resistant case or parts number of the setting lever is unknown or when ordering setting levers other than the above, specify ① Cal. No. ② number of jewels ③ dial No. and ④ case No.				
<b>Date finger</b>				
☆556005.....Two different shapes in the same part number (interchangeable).				
<b>Date dial</b>				
☆801017.....Used when both the crown and the date frame are located at 3 o'clock.				
If the date dial is required in any other type, specify ① Cal. No. ② number of jewels ③ the crown position ④ the date frame position and ⑤ the dial No.				
<b>Day star with dial disk</b>				
☆870015 (English ↔ Japanese).....Used when both the crown and the day frame are located at 3 o'clock.				
If the day star with dial disk is required in any other type, specify the number printed on the disk.				
<b>Holding ring for dial</b>				
There are two types of holding ring for dial. These are identified according to the sectional shapes and the outside diameter (Refer to the diagram on the right).				
If the parts number of the holding ring for dial is unknown or the sectional shape is different from the diagram on the right, specify ① Cal. No. ② number of jewels ③ dial No. and ④ case No.				

(Fig. 1)



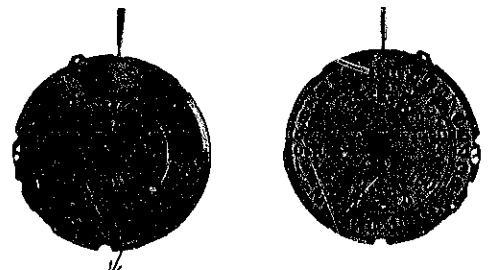
(Fig. 2)



(Example of suitable setting lever)  
Tail of the setting lever is located between the dial and the case.



Items in light letters are not shown in photos.

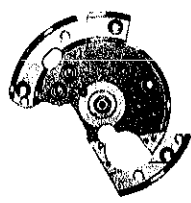


Cal. 5206A


**Characteristics**

Casing diameter: 25.60<sup>±</sup> mm  
 Maximum height: 3.95 mm  
 Vibrations per hour: 28,800  
 Automatic and auxiliary hand winding with sweep second  
 Calendar (day & date)  
 Spontaneous day & date change  
 Instant setting device for day & date calendar  
 Bilingual change-over system for day of week  
 Second-setting device  
 Micro-adjustor or outside micro-adjusting device  
 "Diashock" Shock Resistant Device  
 "Diafix" Oil Lubrication Device


Catalog No.



112026



191010



509037

Calibre No. <b>5206A</b>		Jewels <b>25j</b>	Style Name
⇨ Basic Calibre 5206A 23J Catalog No. 52-06-1			
PART NO.	LIST OF MATERIALS	PART NO.	LIST OF MATERIALS
<b>112026</b>	<b>Barrel &amp; train-wheel bridge</b>	015531	Diafix lower hole jewel with frame for escape wheel
122006	Center wheel bridge	011221	Diafix lower cap jewel for escape wheel
161008	Pallet cock	015513	Diafix lower spring for escape wheel
171035	Balance cock	429001	Holding ring for second reduction wheel
	(for outside micro-adjusting device)	<b>509037</b>	<b>Oscillating weight with ball-bearing</b>
171036	Balance cock	511004	First reduction wheel
<b>191010</b>	<b>Framework for automatic device</b>	514003	Second reduction wheel
201054	Complete barrel with arbor & mainspring	531002	Differential wheel
224012	Center wheel & pinion with cannon pinion	848003	First reverser idler
225008	Cannon pinion	851002	Second reverser idler
231012	Third wheel & pinion	854002	Snap for reverser idler
241016	Fourth wheel & pinion	☆556005	Date finger
245006	Sweep second pinion	559003	Date cam
251018	Escape wheel & pinion	630003	Date cam jumper
261009	Minute wheel	631003	Date cam jumper spring
271012	Hour wheel	655003	Date cam jumper guard
281006	Setting wheel	☆801017	Date dial
282006	Clutch wheel	802006	Date driving wheel
283006	Winding pinion	808007	Date dial guard
285023	Ratchet wheel	809001	Date jumper guard
286003	Sliding crown wheel	810003	Date jumper
301012	Jewelled pallet fork & staff	817005	Intermediate date wheel
310030	Balance complete with stud	868004	Day finger
315014	Balance staff	☆870015	Day star with dial disk (English ↔ Japanese)
331007	Roller with jewel	873006	Day jumper
341010	Regulator	☆884018	Holding ring for dial
344002	Regulator adjusting device (for outside micro-adjusting device)	☆884019	
344080	Regulator adjusting device	963002	Snap for day star with dial disk
345010	Stud holder	981001	Day-date corrector wheel rocker
354026	Winding stem	012121	Stud screw
361002	Second-setting lever spring	012284	Barrel & train-wheel bridge screw
363003	Sliding crown wheel spring	012284	Balance cock screw
381007	Click	012285	Center wheel bridge screw
☆383012	Setting lever	012285	Pallet cock screw
☆383013		012354	Setting lever spring screw
☆383014		012513	Ratchet wheel screw
384009	Yoke (Clutch lever)	012672	Click screw
387006	Minute wheel bridge with intermediate wheel for day correction	012673	Friction spring screw for sweep second pinion
388006	Setting lever spring	012677	Outside micro-adjusting screw (for outside micro-adjusting device)
390005	Setting lever axle	012679	Micro-adjustor screw (for outside micro-adjusting device)
391006	Second-setting lever	012726	Casing clamp screw
395003	Micro-adjustor	012744	Framework screw for automatic device
395004	Micro-adjustor (for outside micro-adjusting device)	012753	Day jumper screw (Gilt)
396003	Friction spring for sweep second pinion	012754	Day jumper screw
399007	Casing clamp	012754	Date cam jumper guard screw
468001	Lower hole jewel with frame for pallet	012754	Date dial guard screw
014603	Diashock upper frame	012754	Date jumper guard screw
014604	Diashock lower frame	011398	Upper hole jewel for barrel
014605	Diashock hole jewel with frame	011715	Upper hole jewel for center wheel
011221	Diashock cap jewel	011146	Lower hole jewel for center wheel
014317	Diashock spring	011540	Upper hole jewel for 3rd wheel
015551	Diafix upper hole jewel with frame for 4th wheel	011540	Lower hole jewel for 3rd wheel
011221	Diafix upper cap jewel for 4th wheel	011541	Lower hole jewel for 4th wheel
014417	Diafix upper spring for 4th wheel	011546	Upper hole jewel for pallet
015161	Diafix upper hole jewel with frame for escape wheel		
011221	Diafix upper cap jewel for escape wheel		
014417	Diafix upper spring for escape wheel		

71  
2

As for all other parts not shown here, please refer to the basic calibre (Cal. No. **5206A** 23J Catalog No. 52-06-1 Green page).

☆⇨ Please see remarks on the next page.  
 Items in light letters are not shown in photos; those parts are interchangeable with the basic calibre (Cal. No. **5206A** 23J Catalog No. 52-06-1 Green page).

—continued on next page—

Calibre No.	<b>5206A</b>	Jewels	<b>25j</b>	Style Name	
⇒ Basic Calibre 5206A 23J Catalog No. 52-06-1					

PART NO.	LIST OF MATERIALS	PART NO.	LIST OF MATERIALS
— continued —			
011151	Upper hole jewel for 1st reduction wheel	013026	Tube for day-date corrector wheel rocker (Tube for date jumper guard screw)
011151	Lower hole jewel for 1st reduction wheel	013027	Tube for bridge screw
011422	Upper hole jewel for differential wheel	013481	Second reduction wheel pin
011157	Lower hole jewel for differential wheel	013934	Micro-adjustor pin (for micro-adjustor)
013024	Tube for setting lever spring screw	013975	Eccentric dial pin
013025	Tube for casing clamp screw		

**Remarks :**

**Setting lever**

There are three types of setting levers. They are used according to the structure of cases and the dial diameter. Select a suitable one by the following procedures referring to the shapes indicated in Fig. 1.

In case of a one-piece water-resistant case, if an incorrect setting lever for dial diameter is used, the winding stem cannot be pulled out or the movement cannot be set in the case. Attention must be paid to this point. (Refer to Fig. 2, Example of suitable setting lever)

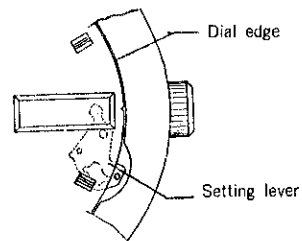
- ☆383012.....Used for one-piece water-resistant case with round dial of diameter 28.50φmm.
- ☆383013...
  - ① Used for one-piece water-resistant case with round dial of diameter 26.50φmm.
  - ② Used for screw or snap back water-resistant case and non-water-resistant case.
- ☆383014.....Used for one-piece water-resistant case with round dial of diameter 27.50φmm.

When the case is a square type water-resistant case or parts number of the setting lever is unknown or when ordering setting levers other than the above, specify ① Cal. No. ② number of jewels ③ dial No. and ④ case No.

(Fig. 1)



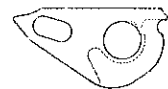
(Fig. 2)



(Example of suitable setting lever)  
Tail of the setting lever is located between the dial and the case.

**Date finger**

- ☆556005.....Two different shapes in the same part number (interchangeable).



**Date dial**

- ☆801017.....Used when both the crown and the date frame are located at 3 o'clock.
- If the date dial is required in any other type, specify ① Cal. No. ② number of jewels ③ the crown position ④ the date frame position and ⑤ the dial No.

**Day star with dial disk**

- ☆870015 (English ↔ Japanese).....Used when both the crown and the day frame are located at 3 o'clock.
- If the day star with dial disk is required in any other type, specify the number printed on the disk.

**Holding ring for dial**

There are two types of holding ring for dial. These are identified according to the sectional shapes and the outside diameter (Refer to the diagram on the right).

If the parts number of the holding ring for dial is unknown or the sectional shape is different from the diagram on the right, specify ① Cal. No. ② number of jewels ③ dial No. and ④ case No.



# 5206A

## 5206A Calendar Mechanism

### (1) Specifications

Casing diameter	25.60mm
Height	3.95mm
Vibrations per hour	28,800
Automatic winding (with auxiliary hand winding device)	
Calendar (day & date, Bilingual change-over mechanism for day indication; instant day & date setting device).	
Second-setting device	
Micro-adjustor (Outer-micro adjusting device for one-piece water resistant case)	

### (2) Features

Watch movement designed with slim lines despite many functions. High beat mechanism (8 vibrations per second) assures excellent accuracy.

Instant day and date setting device is easily manipulated by revolving the crown.

Either one of two languages for day indication selectable through change-over mechanism.

### (3) Disassembling and assembling

Disassemble the watch according to the procedures in Figs. 1 to 65. Assemble the watch according to the procedures in Figs. 65 to 1.

### (4) Lubrication

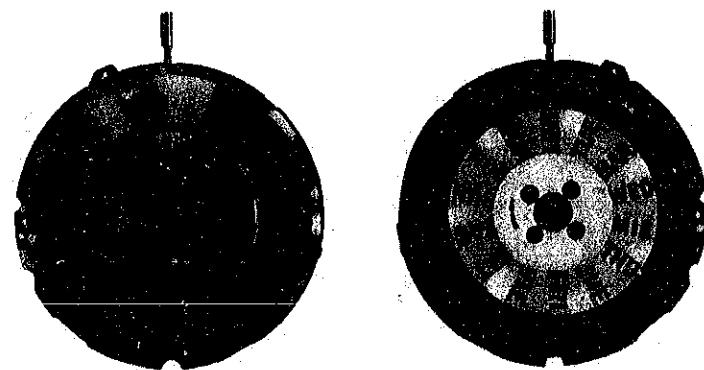
Colored marks in the illustrated figures indicate the types of oil, its quantities to be applied, and lubrication points.

#### Oil types

- ▶ Moebius Synt-A-Lube
- ▶ SEIKO Watch oil S-4
- ▶ SEIKO Watch oil S-3

#### Oil quantity

- Sufficient quantity
- Normal quantity
- Extremely small quantity



Movement

### (5) Precautions on Handling the Watch

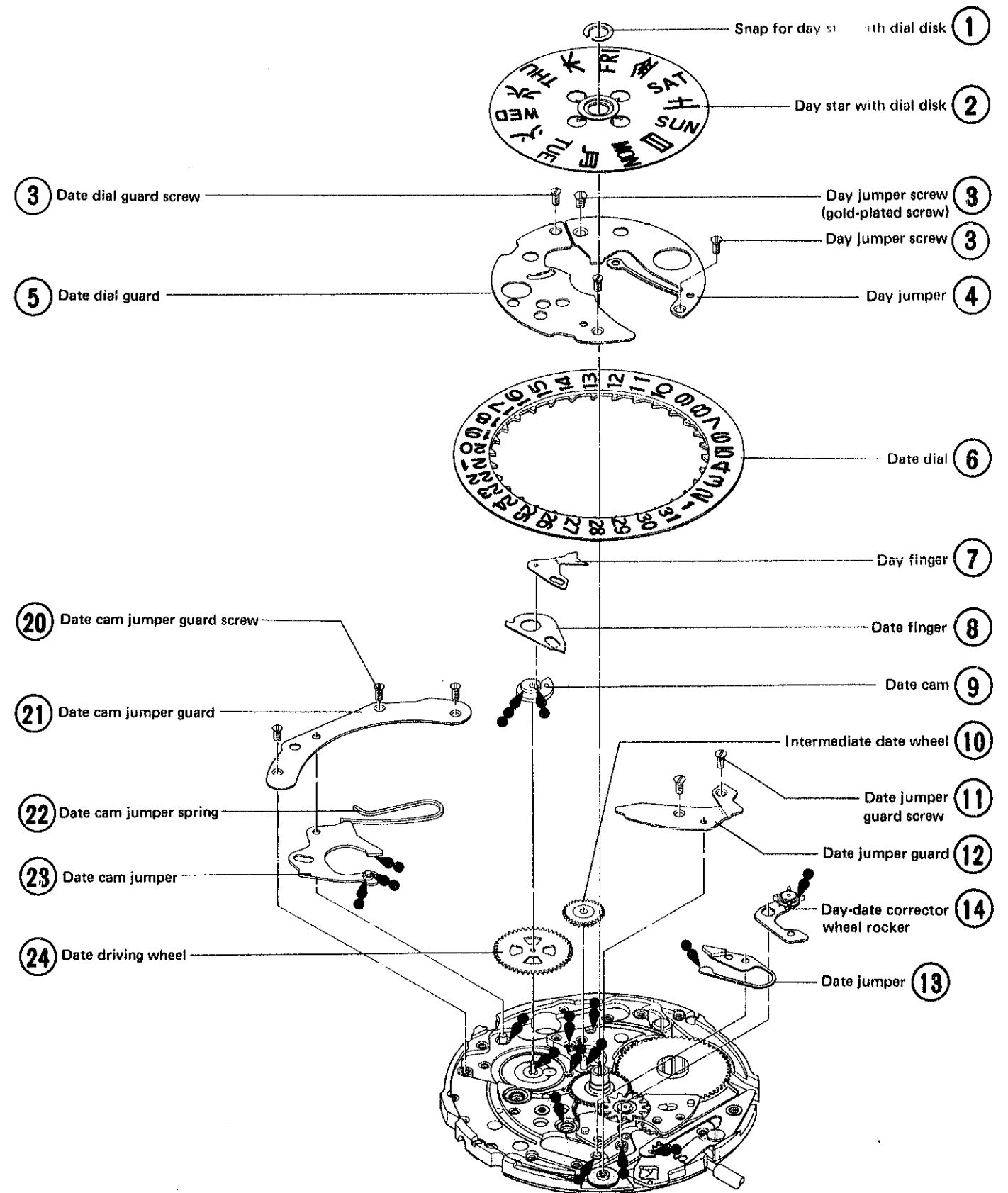
1) Correct the date approximately between 3:45 A.M. and 9:00 P.M.; also perform the day setting and bilingual changing approximately between 7:00 A.M. and 11:00 P.M. During periods other than the above-mentioned, these devices cannot be operated.

2) The mainspring is wound automatically; however, it can also be wound through the crown. When the date is corrected, the mainspring is wound at the same time.

3) Crown  
The crown has three-stage change-over system.

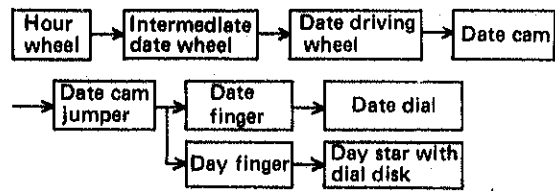
Crown normal position – Winding the mainspring  
first click – Correcting the date (clockwise)  
Correcting the day (counterclockwise)  
Winding the mainspring

second click – Setting the hands and second setting



(6) Calendar Mechanism

6-1 Instant day and date setting device (Figs. 1 and 2)



The date cam is assembled on the date driving wheel which revolves once for 24 hours. Date finger forwarding the date dial located on the date cam, and on the date finger, the day finger is assembled. The date cam jumper is always pressed against the date cam by a spring. When the date driving wheel revolves, the date cam is simultaneously rotated, and the date cam jumper contacting the date cam is raised through the spirally shaped circumference of the cam; at the same time, the date cam jumper spring is bent. When the date cam jumper passes the top of the cam, the date cam and the date cam jumper are revolved by force of the date cam jumper spring. At this time, the cam and the date cam jumper drive the date finger and the day finger.

Since these motions occur instantaneously, the end of the date finger forwards the date dial one day and the tip of the day finger advances the day star one day instantaneously.

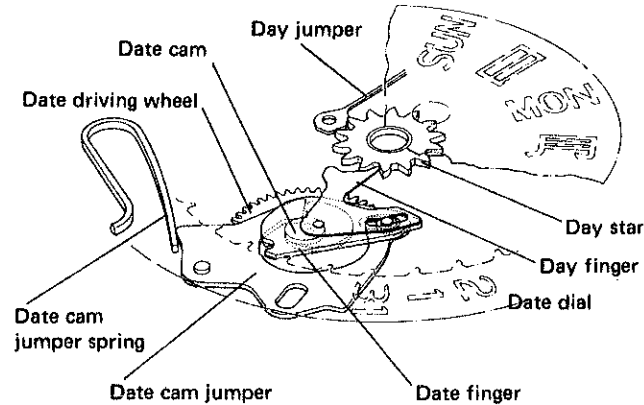


Fig. 1

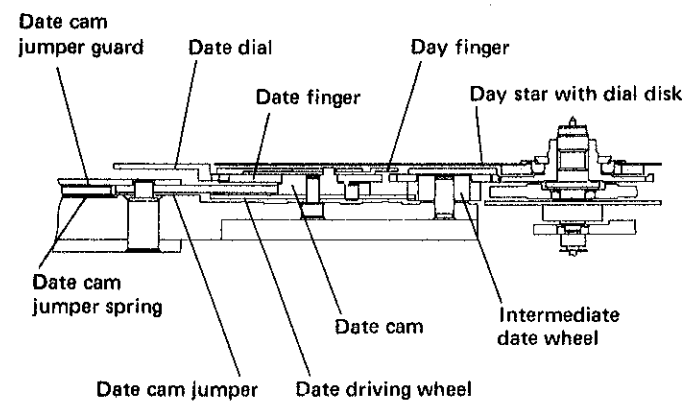


Fig. 2

(Before forwarding day and date)

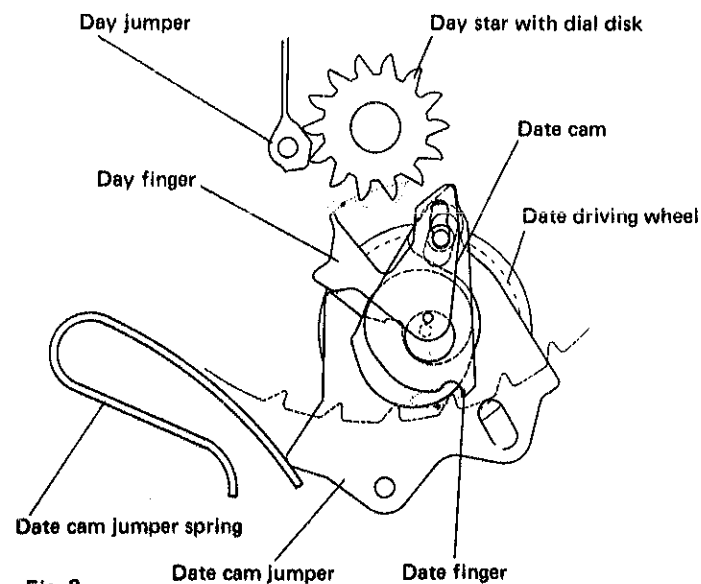


Fig. 3

(After forwarding day and date)

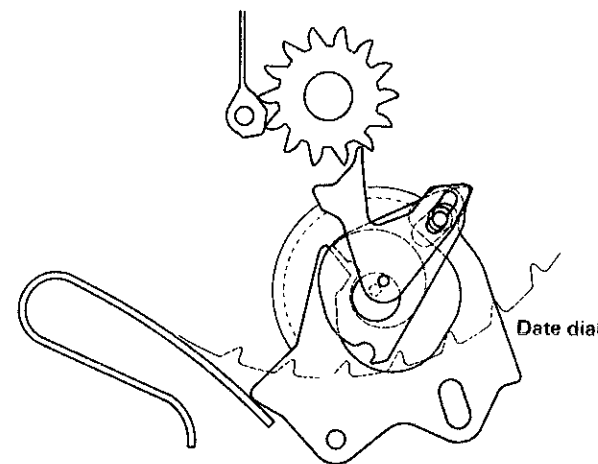
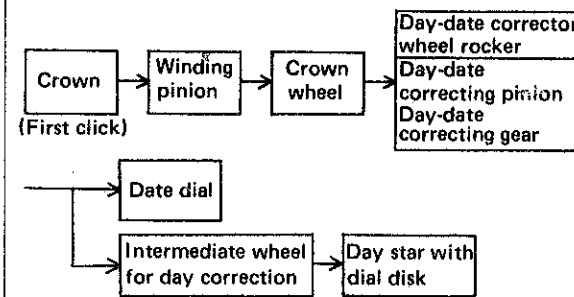


Fig. 4

6-2 Day and date correcting device (First click of Crown)



Date correction

The winding pinion and the crown wheel are meshed (they are assembled on the minute wheel bridge). When turning the crown clockwise, the day-date correcting gear attached to the day-date corrector wheel rocker meshes with the date dial, turning it as shown in Fig. 6.

(The mainspring can also be wound during the date correction by the crown).

Day correction

When turning the crown counterclockwise, the day-date corrector gear attached to the day-date correction wheel rocker meshes with the intermediate wheel for the day correction, turning the day star with dial disk.

Slipping of the day-date correcting gear

As shown in Fig. 4, when the tip of the date finger is between teeth of the date dial, or when the tip of the day finger is between the teeth of the day star, the correcting mechanism will not operate even when attempting to perform the day and date correction, due to slip of the day-date correcting gear.

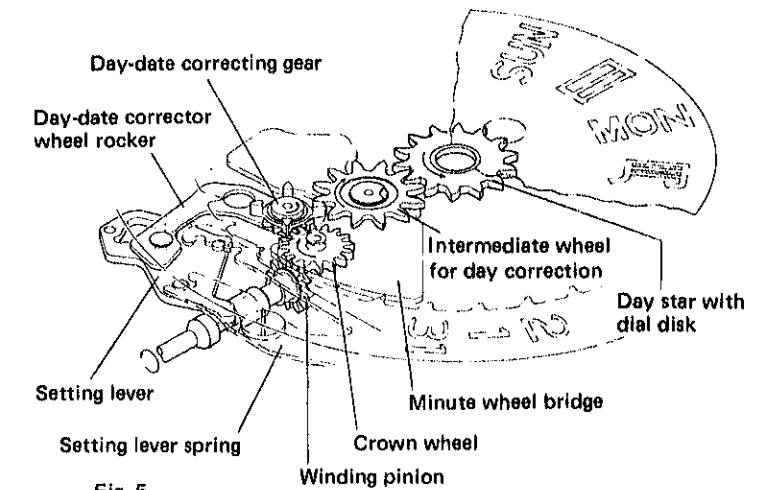


Fig. 5

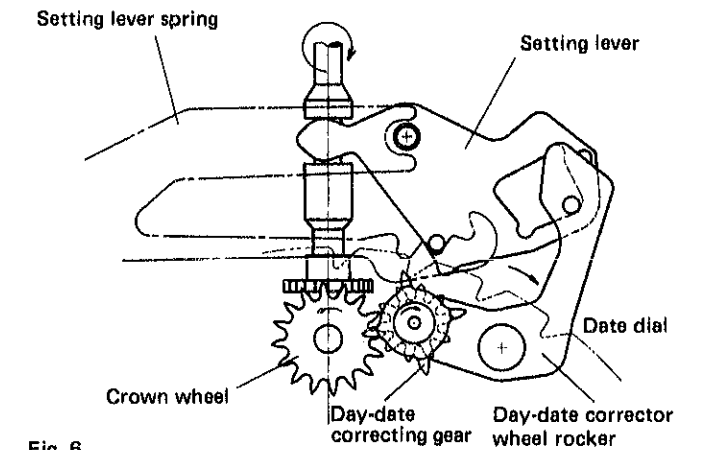


Fig. 6

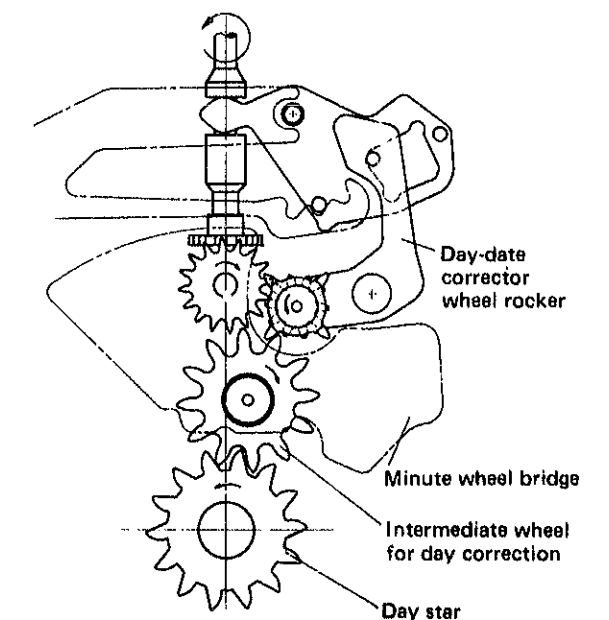
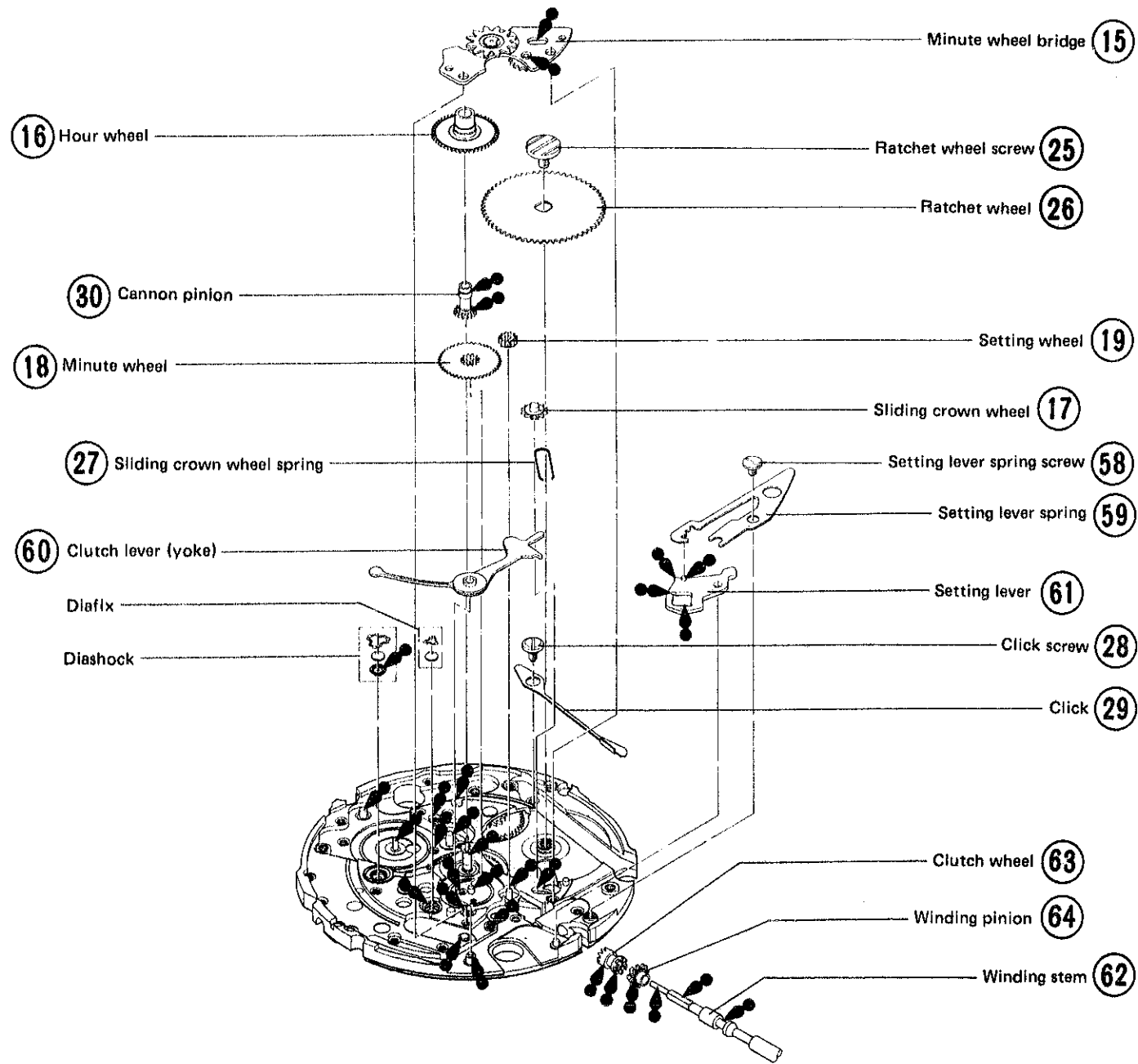


Fig. 7

# 5206A Setting Mechanism



### (7) Winding the mainspring (Crown normal position)

When turning the crown clockwise in a condition that the winding pinion and the crown wheel are meshed (they are assembled on the minute wheel bridge), the ratchet wheel is turned through the sliding crown wheel as shown in Fig. 8. Consequently the mainspring is wound.

When turning the crown counterclockwise, the crown wheel is released from the sliding crown wheel.

In ordinary automatic winding, the crown wheel is also released from the sliding crown wheel.

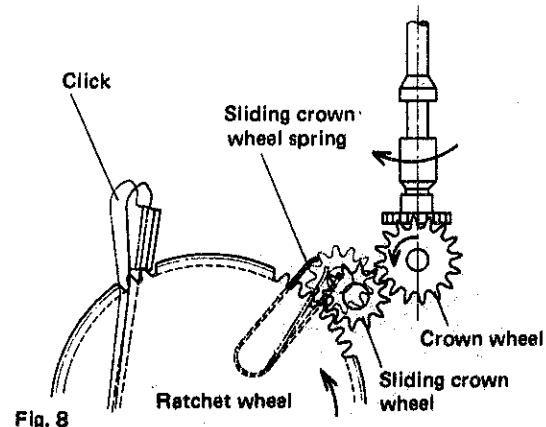
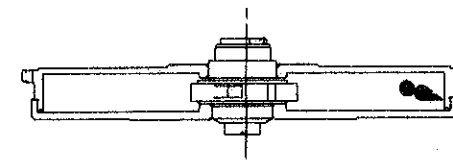
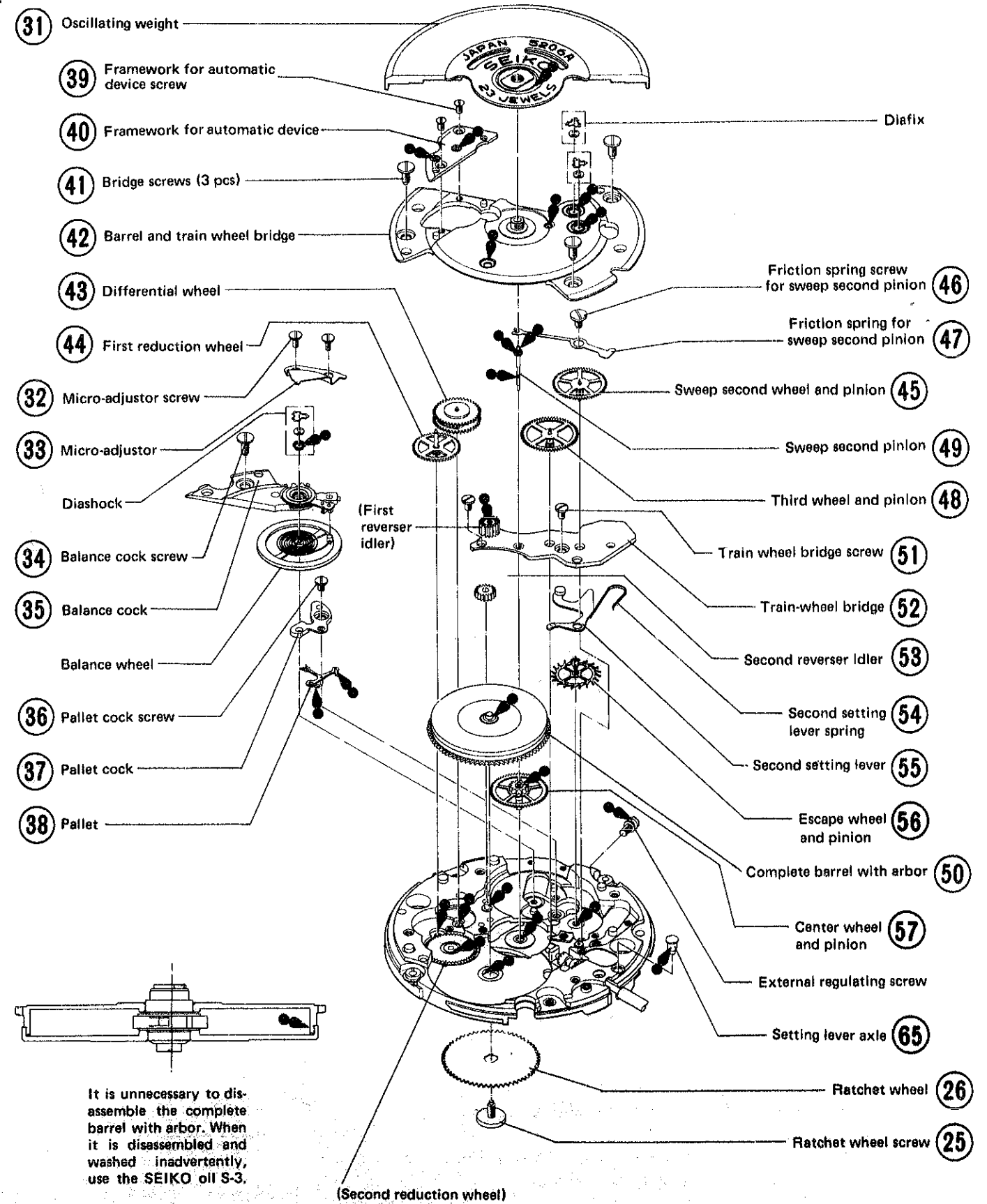


Fig. 8

# 5206A Automatic Winding Mechanism and Train Wheel



It is unnecessary to disassemble the complete barrel with arbor. When it is disassembled and washed inadvertently, use the SEIKO oil S-3.

(Second reduction wheel)

## 5206A Disassembling and Assembling

### Sectional Diagram of the Train Wheel

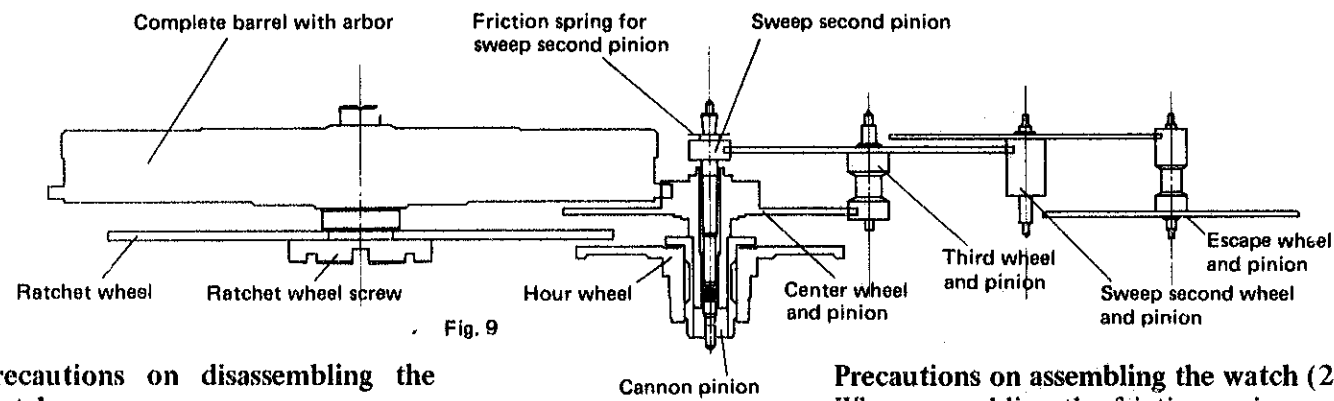
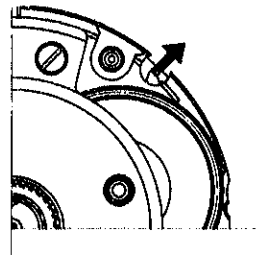


Fig. 9

### Precautions on disassembling the watch

#### 1) Releasing the mainspring

For releasing the mainspring, first remove the framework for automatic device; next, remove the differential wheel and the first reduction wheel, then gently move the click in the direction of the arrow with a pair of tweezers pushing the crown to release the mainspring as shown in Fig. 10.



### Precautions on assembling the watch (1) Lubrication

#### Second reduction wheel

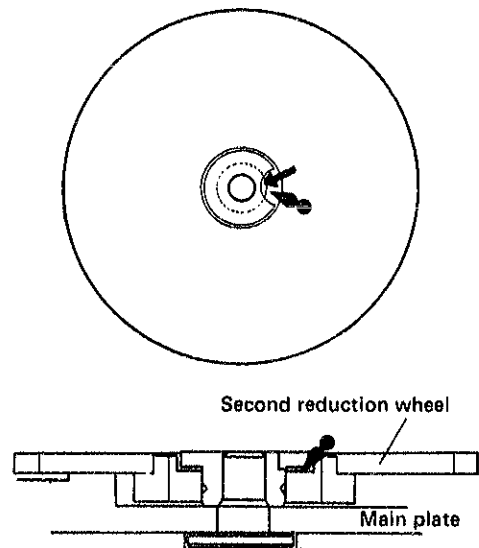


Fig. 11

### Precautions on assembling the watch (2)

When assembling the friction spring for sweep second pinion, assemble it from the side as shown in Fig. 12 (assemble it from the arrow direction).

As shown on the right diagram of Fig. 12, if it is assembled from above the sweep second pinion, the friction spring for sweep second pinion will contact the pivot portion, preventing the correct installation.

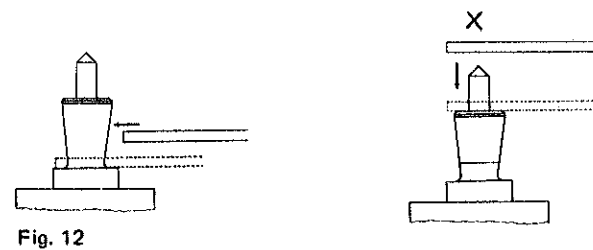


Fig. 12

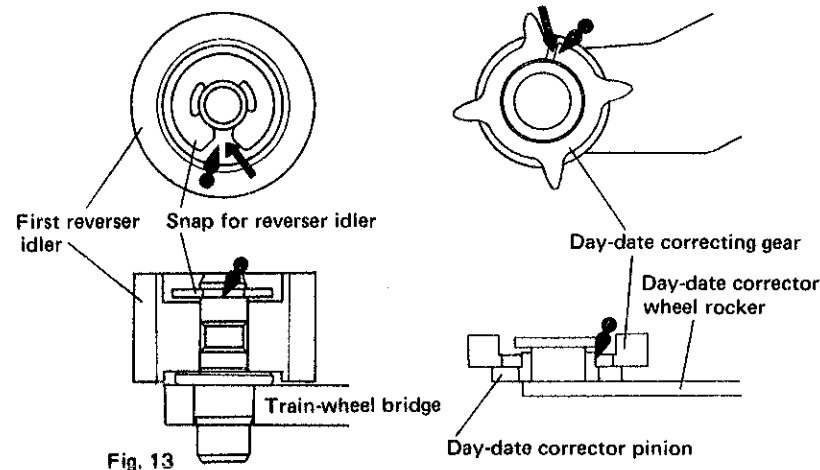


Fig. 13

Lubricate the portions indicated by the arrows as shown in the diagrams. Rotate the gear 3-4 times to spread oil over the shaft surface.

## 5206A Automatic Winding, Second-setting and Outside Micro-adjusting

### (8) Automatic Winding Mechanism

Although the oscillating weight rotates to either the right or left, the rotation is changed into a constant direction by the action of the differential wheel to wind the mainspring constantly. (Fig. 15).

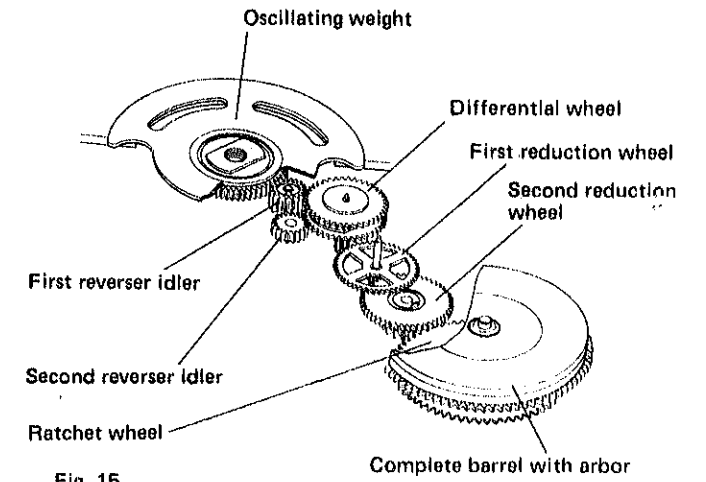
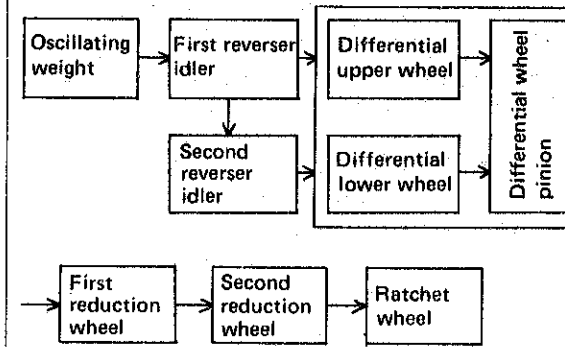


Fig. 15

### (9) Second Setting Device

When the crown is pulled out to the second click to make hand-setting condition, the pin tip of the second-setting lever holds the balance wheel so that the watch stops. (Fig. 16).

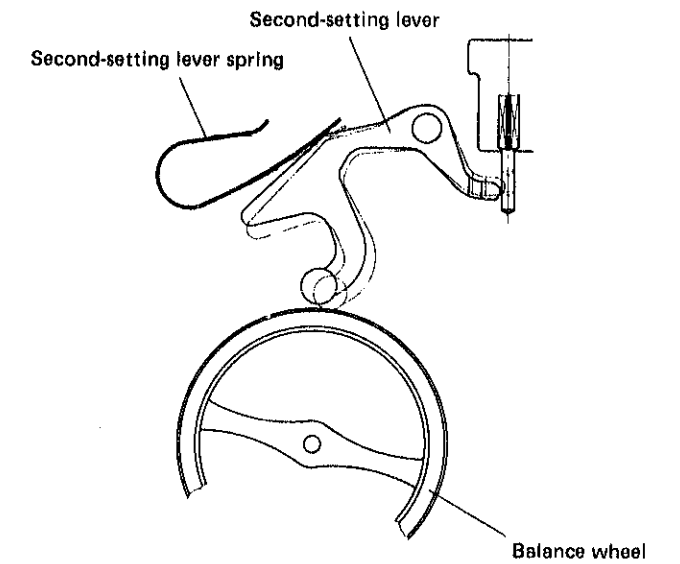


Fig. 16

### (10) Outside micro-adjusting device

This device permits adjusting the watch gain or loss without opening the case.

When turning the external regulating screw clockwise after removing the tap-screw of outer device on the case, the micro-adjustor is moved to turn the regulator in the direction of (-). If the external regulating screw is turned counterclockwise, the micro-adjustor moves the regulator in the direction of (+). (Fig. 17).

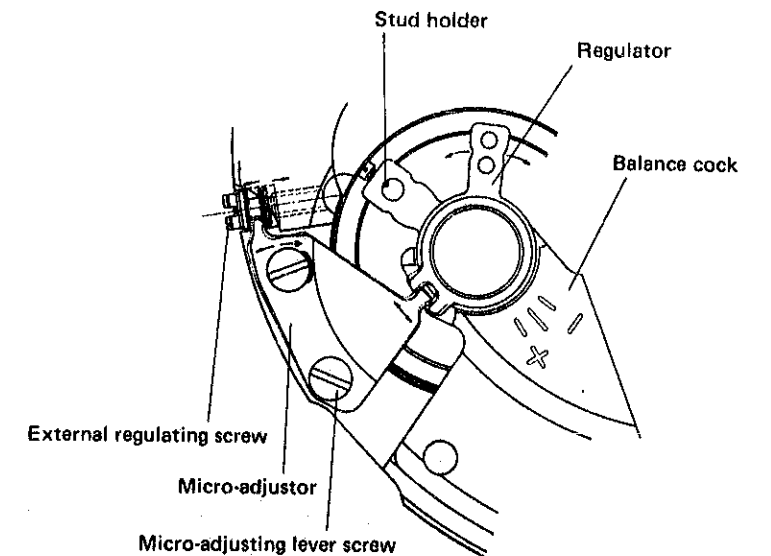


Fig. 17