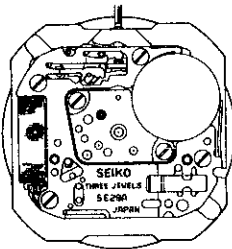
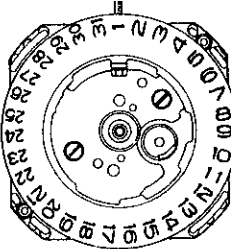


# PARTS CATALOGUE/TECHNICAL GUIDE

## Cal. 5E29A

### [SPECIFICATIONS]

Item		Cal. No.	5E29A
Movement			 
Movement size	Outside diameter	φ23.0 mm 19.0 mm between 3 o'clock and 9 o'clock sides 19.0 mm between 6 o'clock and 12 o'clock sides	
	Casing diameter	φ19.5 mm 15.0 mm between 3 o'clock and 9 o'clock sides 19.0 mm between 6 o'clock and 12 o'clock sides	
	Height	1.9 mm	
Time indication		2 hands (Hand motion: 1-second step)	
Driving system		Step motor (Load compensated driving pulse type)	
Additional mechanism		<ul style="list-style-type: none"> <li>• Electronic circuit reset switch</li> <li>• Train wheel setting device</li> </ul>	
Loss/gain		Monthly rate at normal temperature range: less than 15 seconds	
Regulation system		Nil	
Measuring gate by quartz tester		Use 10-second gate.	
Battery		SEIKO SR716SW, Matsushita SR716SW Battery life is approximately 3 years. Voltage: 1.55V	
Jewels		3 jewels	

HATTORI SEIKO CO., LTD.

# PARTS CATALOGUE

Cal. 5E29A

Disassembling procedures Figs.: ① → ③③

Reassembling procedures Figs.: ③③ → ①

Lubricating: Types of oil

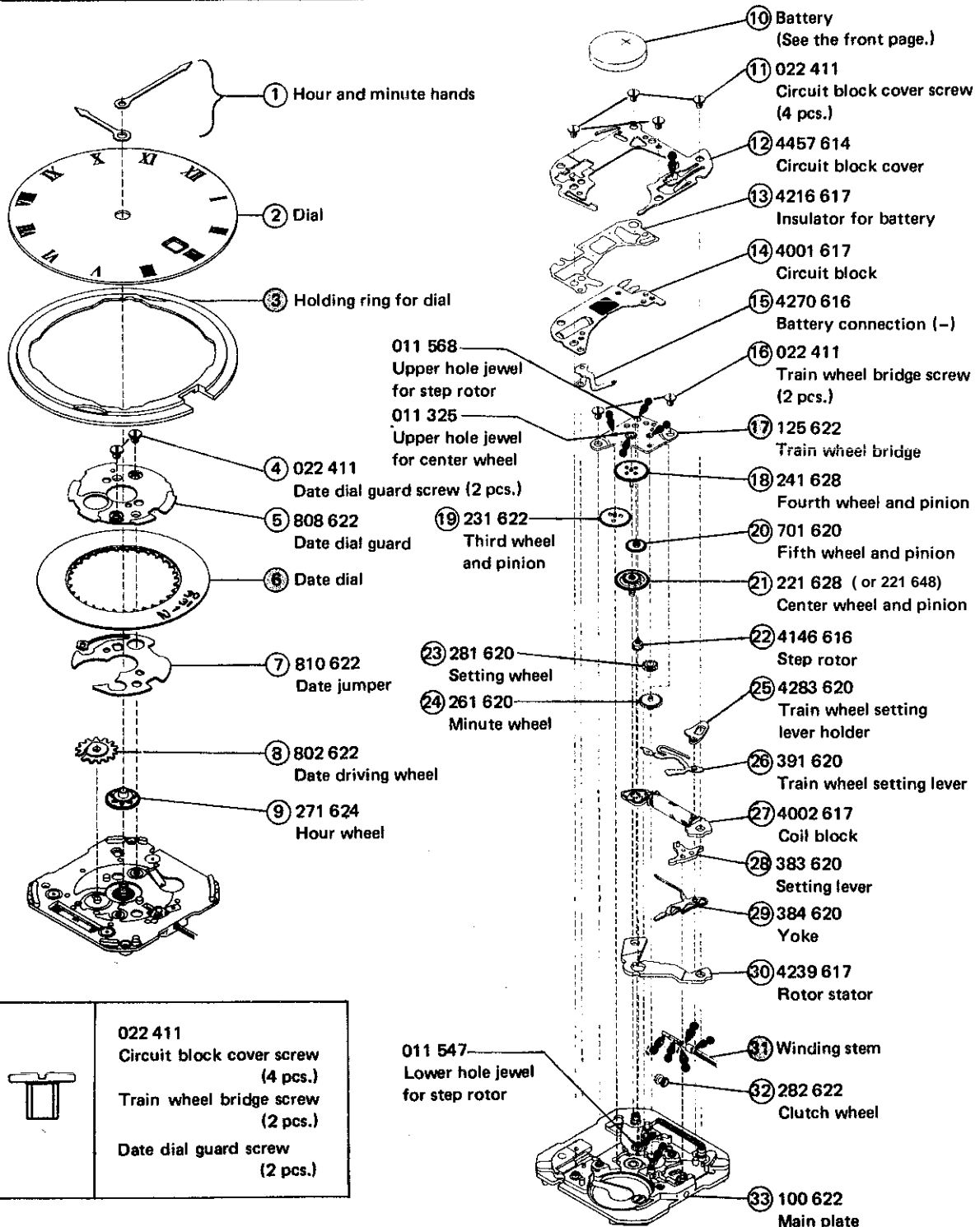
● Moebius A

○ SEIKO Watch Oil S-6

Oil quantity

○ Normal quantity

◊ Extremely small



	022 411 Circuit block cover screw (4 pcs.)
	Train wheel bridge screw (2 pcs.)
	Date dial guard screw (2 pcs.)

⊙ ⇨ Please see the remarks on the following pages.

# PARTS CATALOGUE

Cal. 5E29A

**Remarks:**

- ③ Holding ring for dial
- ③① Winding stem 351 625

The types of holding ring for dial and winding stem are determined based on the design of cases. Check the case number and refer to "SEIKO Casing Parts Catalogue" to choose their corresponding types.

- ⑥ Date dial 801 959

Part No.	Crown position	Calendar frame position	Figure color	Ground color
801 959	3 o'clock	3 o'clock	Black	White
801 958	3 o'clock	6 o'clock	Black	Gold
801 957	3 o'clock	6 o'clock	Black	White
878 511	3 o'clock	3 o'clock	Red	Gold

The types of date dial is determined based on the design of cases. When ordering the date dial, please specify (1) Cal. No., (2) the crown position, (3) the calendar frame position, and (4) Dial No.

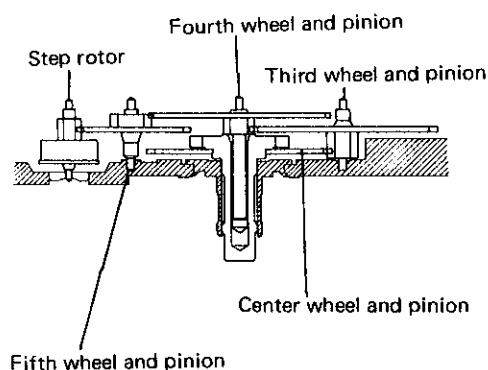
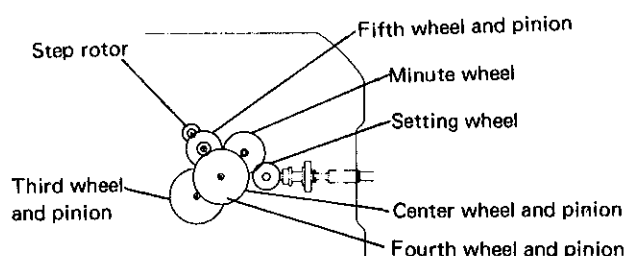
# TECHNICAL GUIDE

Cal. 5E29A

- The explanation here is only for the particular points of Cal. 5E29A. For other information, refer to "PARTS CATALOGUE/TECHNICAL GUIDE for Cal. 5E20A".
- For the repairing, checking and measuring procedures, refer to the "TECHNICAL GUIDE, GENERAL INSTRUCTIONS".

①⑦ Train wheel bridge

- Setting position



(revised in 2007)